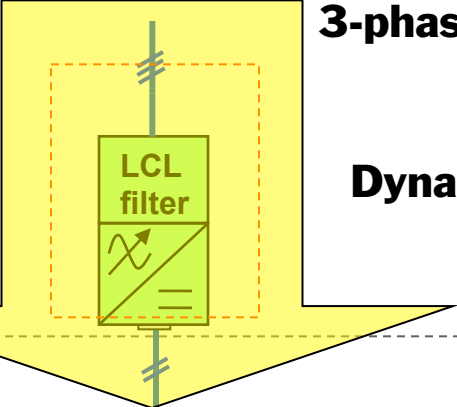


Network Braking System Power Flow

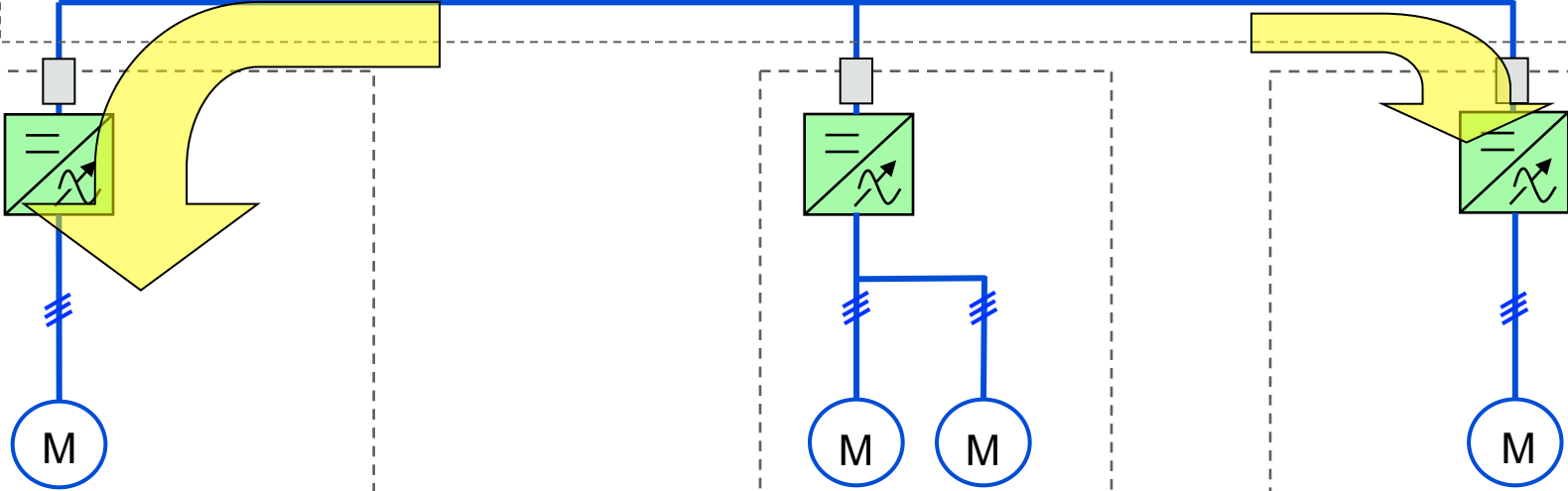
Power flow when driving trolley and simultaneously hoisting **UPWARDS**

3-phase supply

DynaReg



DC Bus



Hoisting

Bridge

Trolley

Network Braking System Power Flow

Power flow when driving trolley and simultaneously hoisting **DOWNWARDS**

3-phase supply

DynaReg

