



This tree-friendly pdf works best on screens and not paper.



Crane Management System Upgrade Kit

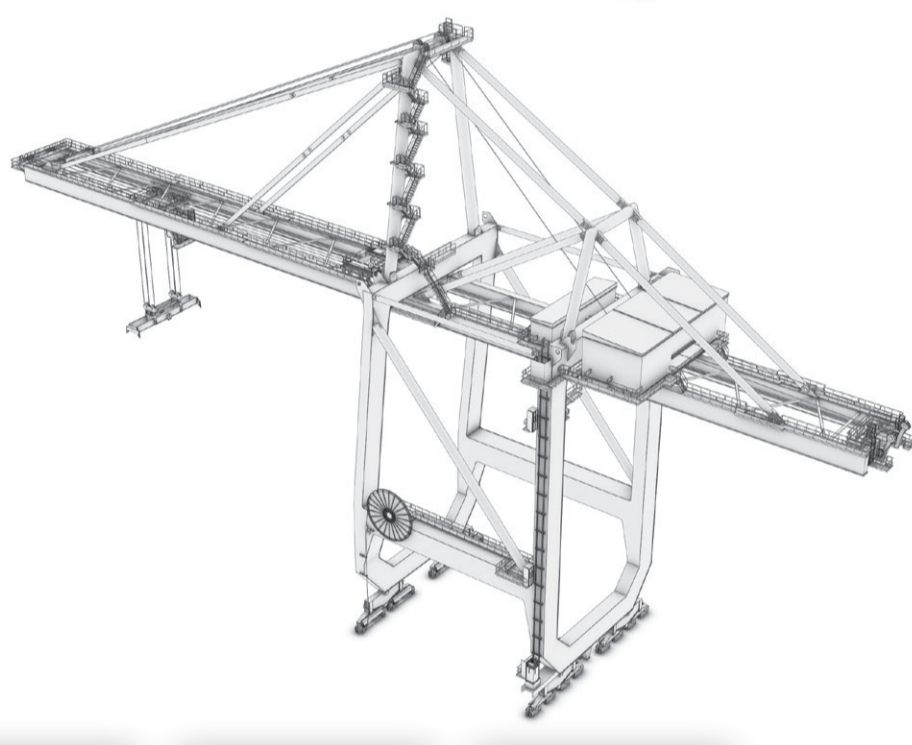
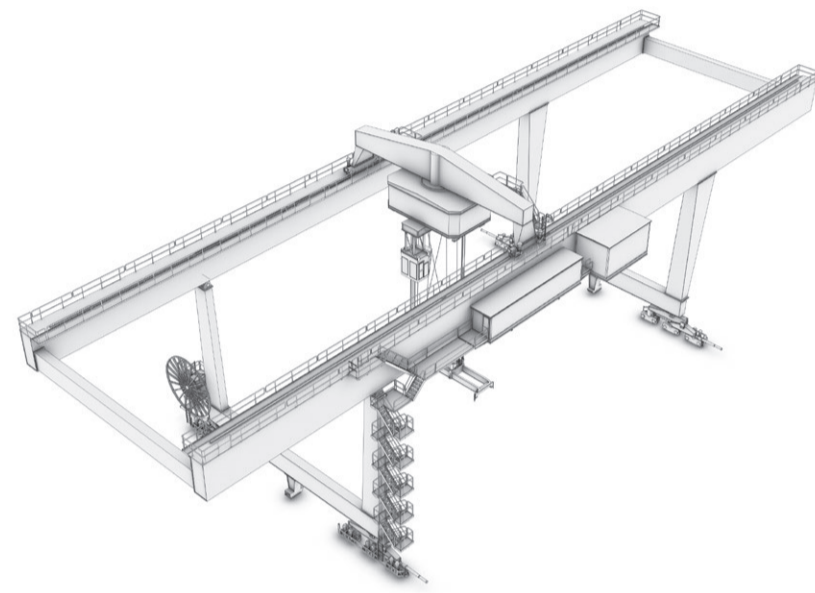
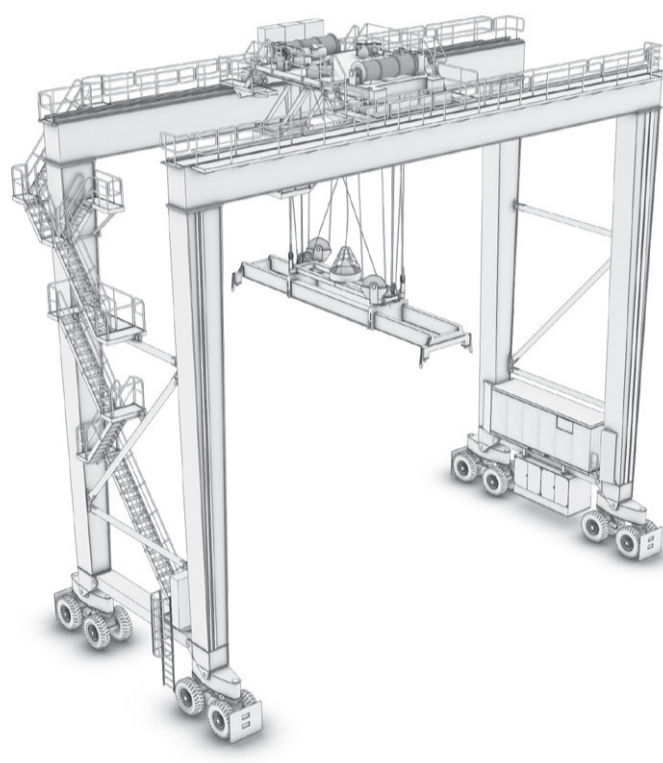
Most **Konecranes** port cranes delivered between 2005 and 2018 will have computer components and software that is not only outdated, but no longer repairable because spare parts are out of manufacture.



GET MORE DONE

Konecranes is the premier **port services** provider to brownfield terminal developments. Now you can get all the advantages of **Konecranes** technology in a DIY (Do-It-Yourself) kit. Bring your equipment up to the standards and specs of those rolling off the factory floor today. The power of our technology is now in your hands.

This Upgrade Kit is **only suitable** for the following Konecranes equipment: yard cranes, shipyard cranes and bulk handling cranes.



RTG
Rubber-Tyred Gantry

RMG
Rail-Mounted Gantry

STS
Ship-to-Shore

GU
Grab Unloader

LL
Level Luffing

The Crane Management System (CMS) is an application for crane diagnostics and for collecting crane operation and usage data. The Konecranes CMS is a high-performance, stand-alone computer application which is designed specifically for cranes.

With a functioning CMS system you have access to crane status indication, crane online monitoring, indication of active faults, fault history, operational data, crane usage data and PDF documentation for your crane.

WHAT'S IN THE BOX?

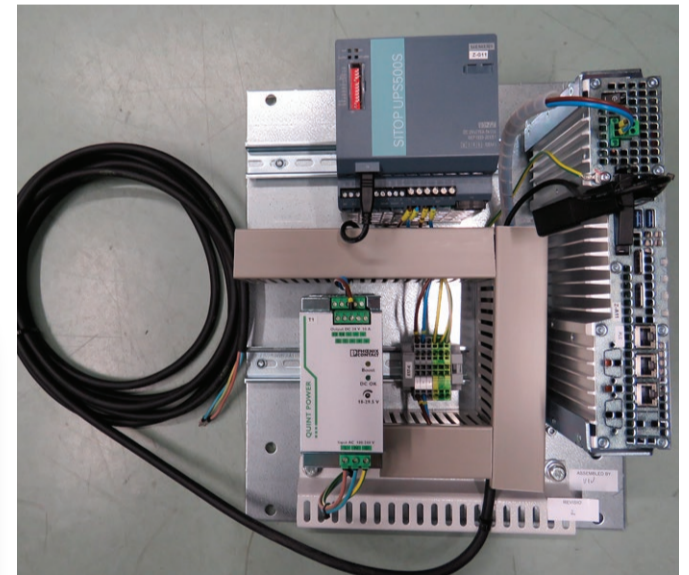
Specific items may vary according to the age of your crane.

Hardware

- Latest version of the CMS computer (always included)
- Replacement cables (always included)
- New capacitor-based UPS system (when replacing older CMS systems)
- New keyboard and mouse (when replacing older CMS systems)

Software

- Updated operating system Windows 10 (always included)
- Updated Wonderware licenses (when replacing older CMS systems)
- The old software application and database transferred to new operating system without any functional changes (always included)



BENEFITS

- Availability of parts
- Faster and more stable CMS
- Upgraded to Windows 10
- Battery-based UPS
Uninterruptible is very often the reason for CMS failures; upgrade kits to older model cranes always include a new capacitor-based UPS.



CONTACT US



Ports. Evolved.

KONECRANES®



Konecranes is a world-leading group of Lifting Businesses™, serving a broad range of customers, including manufacturing and process industries, shipyards, ports and terminals. Konecranes provides productivity, shipyarding, lifting and solutions as well as services for lifting equipment of all makes. The Group has more than 16,000 employees at 600 locations in 50 countries. Konecranes shares are listed on the Nasdaq Helsinki (symbol: KCR).

© 2021 Konecranes. All rights reserved. 'Konecranes', 'Lifting Businesses' and are either registered trademarks or trademarks of Konecranes.

This publication is for general informational purposes only. Konecranes reserves the right at any time, without notice, to alter or discontinue the products and/or specifications referenced herein. This publication creates no warranty on the part of Konecranes, express or implied, including but not limited to any implied warranty or merchantability or fitness for a particular purpose.